

## Specifications

### Interfacing

Connectors:	<ul style="list-style-type: none"> <li>1 AC power connector</li> <li>1 RJ45 network connector, 100 BASE-TX</li> <li>4 USB 1.1 connectors</li> <li>1 nonstandard USB SMR connector</li> <li>1 50-pin CF revision 2.0 connector</li> <li>1 standard DVI-D video interface connector</li> <li>1 BNC connector</li> <li>1 equipotential grounding connector</li> <li>1 RJ11 defib sync connector</li> <li>1 CIS connector</li> <li>1 Micro D connector</li> </ul>
-------------	---

### Battery

Type:	Rechargeable lithium ion
Number of Batteries:	2
Run Time:	Lithium ion: 2hrs using 2 new, fully charged batteries and monitoring ECG, SpO <sub>2</sub> and auto NIBP measurements every 15min at 25°C
Recharge Time:	6hrs maximum

### Physical Dimensions

Monitor Size:	11.7" (H) x 13.2" (W) x 7.3" (D) 29.7 cm (H) x 33.6 cm (W) x 18.6 cm (D)
Monitor Weight:	15.8 lbs (7.2 kg) including 12.1" touchscreen display, MPM, and ECG, NIBP, SpO <sub>2</sub> accessories

### Environmental

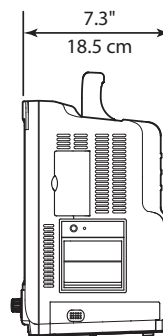
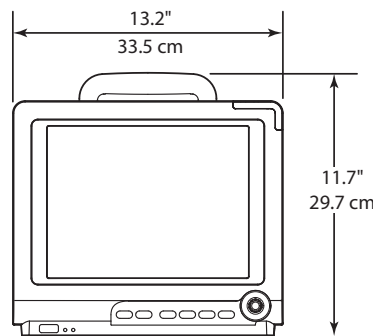
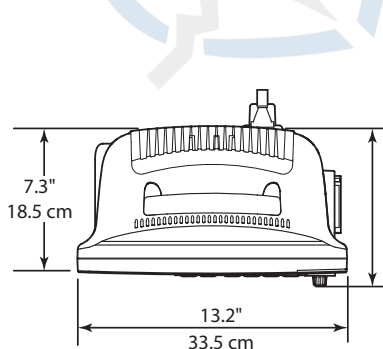
Operating Temperature:	0°C to 40°C (main unit/MPM/IBP module/recorder/CO/CCO, SvO <sub>2</sub> ) 0°C to 40°C (Microstream CO <sub>2</sub> module) 5°C to 35°C (Sidestream CO <sub>2</sub> module) 10°C to 40°C (AG module)
Operating Humidity:	15% to 95%, non-condensing (main unit/MPM/IBP module/recorder/Microstream CO <sub>2</sub> module/Sidestream CO <sub>2</sub> module/AG module)
Operating Atmospheric Pressure:	425-809mmHg (main unit/MPM/IBP module/recorder/CO/CCO, SvO <sub>2</sub> ) 430-795mmHg (Microstream CO <sub>2</sub> module) 428-790mmHg (Sidestream CO <sub>2</sub> module) 525-900mmHg (AG module)
Storage Atmospheric Pressure:	120-809mmHg (main unit/MPM/IBP module/recorder/CO/CCO, SvO <sub>2</sub> ) 430-795mmHg (Microstream CO <sub>2</sub> module) 428-790mmHg (Sidestream CO <sub>2</sub> module) 525-900mmHg (AG module)

### Power Requirements

AC Voltage:	100 to 240VAC, 50/60Hz
Current:	2.5 to 1.4A

### Safety

Type of Protection:	Class I (main unit and secondary display only)
Degree of Protection:	Sidestream CO <sub>2</sub> module/Microstream CO <sub>2</sub> module/AG module: BF MPM/IBP module: CF
Protection Against Ingress of Fluids:	Not protected

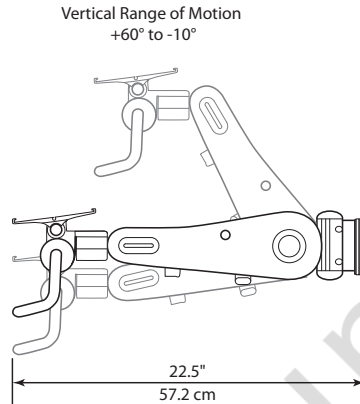


## Specifications

### Mounting Solutions

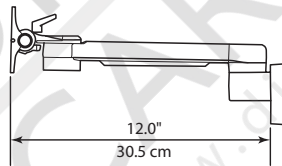
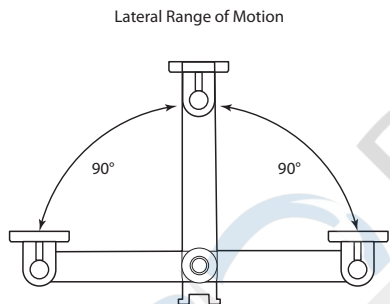
#### Variable Height Mount (VHM)

Moment Load: 40 lbs (18.1 kg)



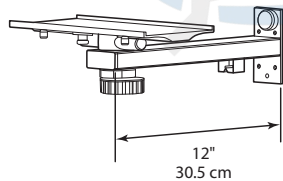
#### Pivot Arm Wall Mount

Moment Load: 60 lbs (27.2 kg)



#### Wall Mount

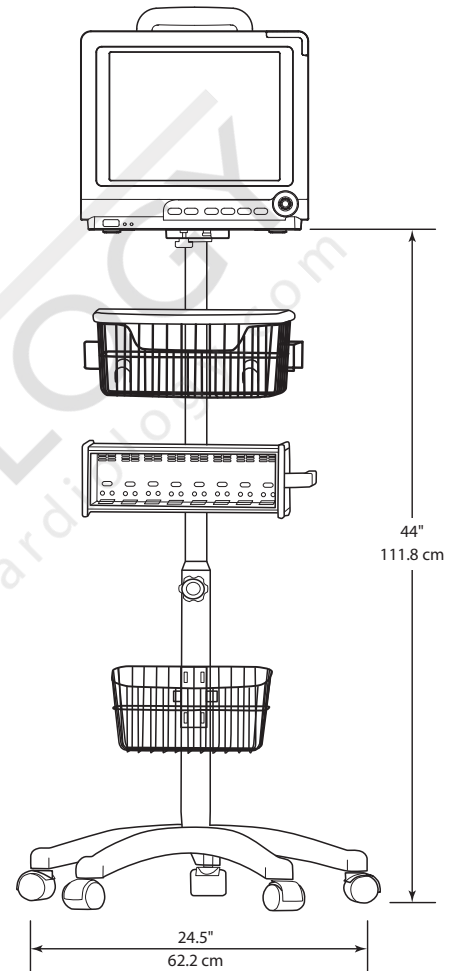
Moment Load: 80 lbs (36.3 kg)



### Rolling Stand

Dimension: 44"(H) x 24.5" (W)  
111.8 cm (H) x 62.2 cm (W)

Moment Load: 50 lbs (22.7 kg)



Mindray DS USA, Inc.

800 MacArthur Blvd., Mahwah, NJ 07430

Tel: 1.800.288.2121 Tel: 201.995.8000 Fax: 1.800.926.4275 [www.na.mindray.com](http://www.na.mindray.com)

DPM™ is a trademark of Mindray DS USA, Inc. Mindray™ is a trademark of Shenzhen Mindray Bio-Medical Electronics Co., Ltd.  
© 2013 Mindray DS USA, Inc. P/N: 0002-08-30020 Rev B