

Specifications

Interfacing

Connectors:

- 1 AC power connector
- 2 RJ45 network connectors, 100 BASE-TX
- 10 USB 1.1 connectors
- 1 nonstandard USB SMR connector
- 1 50-pin CF revision 2.0 connector
- 1 standard DVI-D video interface connector
- 1 BNC connector
- 1 equipotential grounding connector
- 1 RJ11 defib sync connector

Battery

Type: Rechargeable lithium ion
 Number of Batteries: 2
 Run Time: Lithium ion: 2hrs using 2 new, fully charged batteries and monitoring ECG, SpO₂ and auto NIBP measurements every 15min at 25°C
 Recharge Time: 6hrs maximum

Physical Dimensions

Monitor Size: 14.6" (H) x 15.7" (W) x 7.6" (D)
 37 cm (H) x 40 cm (W) x 19.3 cm (D)
 Monitor Weight: Less than 31.9 lbs (14.5 kg) including 17" touchscreen display, MPM, AG module, 2 lithium batteries, recorder, and CF components

Environmental

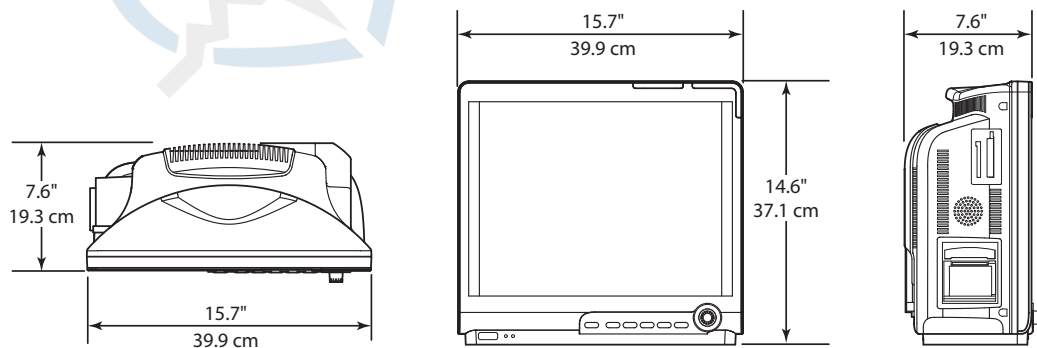
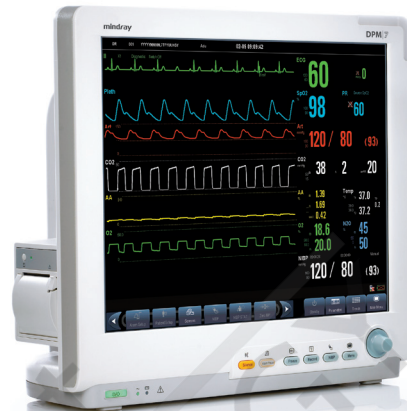
Operating Temperature: 5°C to 40°C (main unit/MPM/IBP module/recorder/CO/CCO, SvO₂)
 0°C to 40°C (Microstream CO₂ module)
 5°C to 35°C (Sidestream CO₂ module)
 10°C to 40°C (AG module)
 Operating Humidity: 15% to 95%, non-condensing (main unit/MPM/IBP module/recorder/Microstream CO₂ module/Sidestream CO₂ module/AG module)
 Operating Atmospheric Pressure: 425-809mmHg (main unit/MPM/IBP module/recorder/CO/CCO, SvO₂)
 430-795mmHg (Microstream CO₂ module)
 428-790mmHg (Sidestream CO₂ module)
 525-900mmHg (AG module)
 Storage Atmospheric Pressure: 120-809mmHg (main unit/MPM/IBP module/recorder/CO/CCO, SvO₂)
 430-795mmHg (Microstream CO₂ module)
 428-790mmHg (Sidestream CO₂ module)
 525-900mmHg (AG module)

Power Requirements

AC Voltage: 100 to 240VAC, 50/60Hz
 Current: 2.8 to 1.6A

Safety

Type of Protection: Class I (main unit and secondary display only)
 Degree of Protection: Sidestream CO₂ module/Microstream CO₂ module/AG module: BF
 MPM/IBP module: CF
 Protection Against Ingress of Fluids: Not protected

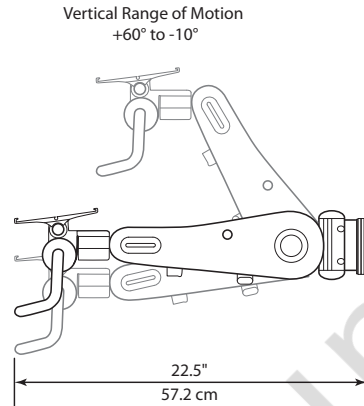
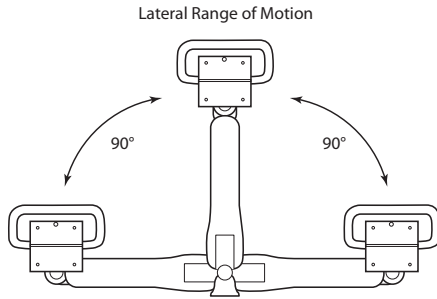


Specifications

Mounting Solutions

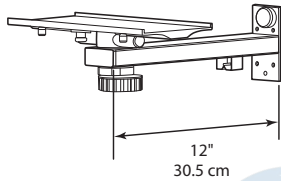
Variable Height Mount (VHM)

Moment Load: 40 lbs (18.1 kg)



Wall Mount

Moment Load: 80 lbs (36.3 kg)



Mindray DS USA, Inc.
800 MacArthur Blvd., Mahwah, NJ 07430
Tel: 1.800.288.2121 Tel: 201.995.8000 Fax: 1.800.926.4275 www.na.mindray.com

DPM™ is a trademark of Mindray DS USA, Inc. Mindray™ is a trademark of Shenzhen Mindray Bio-Medical Electronics Co., Ltd.
© 2013 Mindray DS USA, Inc. P/N: 0002-08-30021 Rev B