



H. WILSON

SPECIALTY CARTS AND FURNITURE



2012-2013

NEW & BESTSELLING PRODUCTS
FULL LINE CATALOG

Tuffy Presentation Stations

42" H x 24" W x 18" D



NEW Tuffy Pullout Shelf Series

19 5/8" W x 15 5/8" D

Shelves are constructed with a injection molded thermoplastic resin. Will not chip, warp, rust or peel. Shelves have a 1/4" safety retaining lip and are available in 12 unique colors.

Locking steel cabinet panels fit firmly into the specially molded leg slots.

A set of silent roll, 4" full swivel ball bearing casters, two with locking brakes.

Includes a 3-outlet UL listed electrical assembly with a 15 ft. cord.

WTPSLP42C4E-N



WTPSLP42E-N



WTPS42C4E-N



WTPS42E-N



WT42C4E-N

Nickel

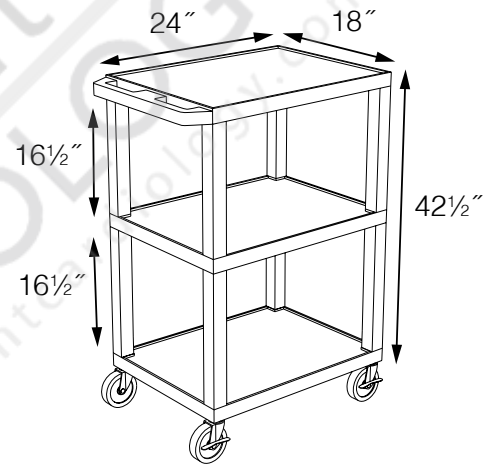
Nickel

42" Tuffy Presentation Stations

Front & Side pull-out shelves ideal for laptop, keyboards and projectors. Lockable WTD drawers great for storage and added security.

19 5/8" W x 13 5/8" D

Measurements:



Tuffy Presentation Stations

34" H x 24" W x 18" D



NEW Tuffy Pullout Shelf Series

19 5/8" W x 15 5/8" D

Shelves are constructed with an injection molded thermoplastic resin. Will not chip, warp, rust or peel. Shelves have a 1/4" safety retaining lip and are available in 12 unique colors.

Locking steel cabinet panels fit firmly into the specially molded leg slots.

A set of silent roll, 4" full swivel ball bearing casters, two with locking brakes.

Includes a 3-outlet UL listed electrical assembly with a 15 ft. cord.

WT34C4E-N



WT34C4E-N



WT34E-N



WT34C4E-N/WTD



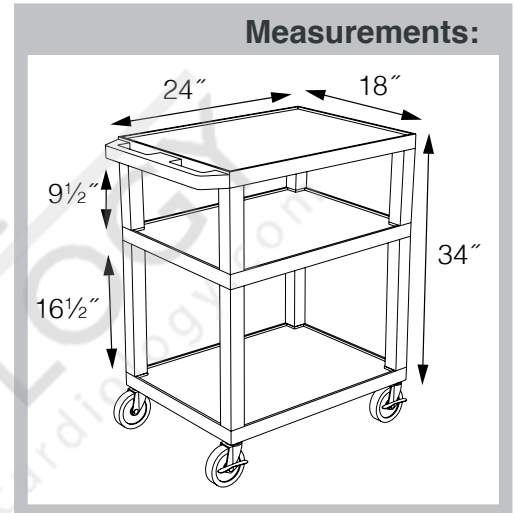
WT34E-N/WTD

34" Tuffy Presentation Stations



WTPS34E-N

Pull-out shelves ideal for laptop, keyboards and projectors. Lockable WTD drawers great for storage and added security.



Shelf
Color
Code:

Black	Gray GY	Putty OW	Red R	Burgundy BY	Blue BU
Yellow Y	Orange OR	Hunter Green HG	Green G	Purple P	Navy Z

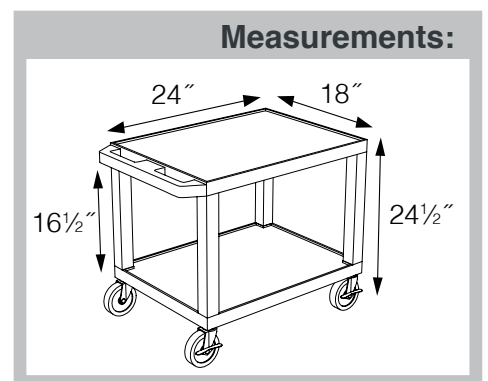
26" Tuffy Carts



WT26C4E-N



WT26E-N



To specify which shelf color is ordered, replace ★ in this example product number with shelf color code of choice:

WT34★C4E-N

Tuffy Presentation Stations

42" H x 24" W x 18" D



NEW Tuffy Pullout Shelf Series

19 5/8" W x 15 5/8" D

Shelves are constructed with an injection molded thermoplastic resin. Will not chip, warp, rust or peel. Shelves have a 1/4" safety retaining lip and are available in 12 unique colors.

Locking steel cabinet panels fit firmly into the specially molded leg slots.

A set of silent roll, 4" full swivel ball bearing casters, two with locking brakes.

Includes a 3-outlet UL listed electrical assembly with a 15 ft. cord.

Shelf Color Code:

Black	Gray GY	Putty OW	Red R	Burgundy BY	Blue BU
Yellow Y	Orange OR	Hunter Green HG	Green G	Purple P	Navy Z

WTPSLP42C2E-B



WTPSLP42E-B



WTPS42C2E-B



WTPS42E-B



WT42C2E-B

Black

Black

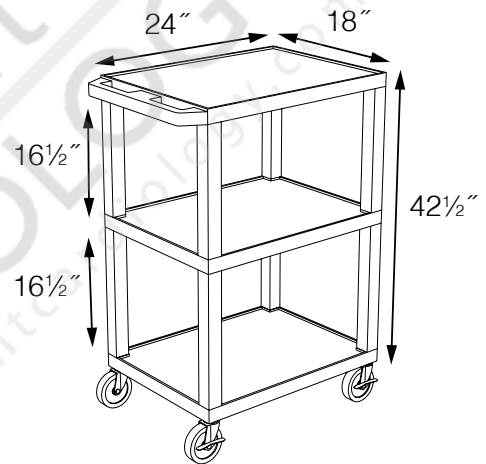
42" Tuffy Presentation Stations



Front & Side pull-out shelves ideal for laptop, keyboards and projectors. Lockable WTD drawers great for storage and added security.

19 5/8" W x 13 5/8" D

Measurements:



WTPSP42C2E-B



WT42E-B



WTPSP42E-B



WT42C2E-B/WTD



WT42E-B/WTD

Tuffy Presentation Stations

34" H x 24" W x 18" D



NEW Tuffy Pullout Shelf Series

19 5/8" W x 15 5/8" D

WTPS34C2E-B

Shelves are constructed with an injection molded thermoplastic resin. Will not chip, warp, rust or peel. Shelves have a 1/4" safety retaining lip and are available in 12 unique colors.

Locking steel cabinet panels fit firmly into the specially molded leg slots.

A set of silent roll, 4" full swivel ball bearing casters, two with locking brakes.

Includes a 3-outlet UL listed electrical assembly with a 15 ft. cord.



WT34C2E-B



WT34E-B



WT34C4E-B/WTD



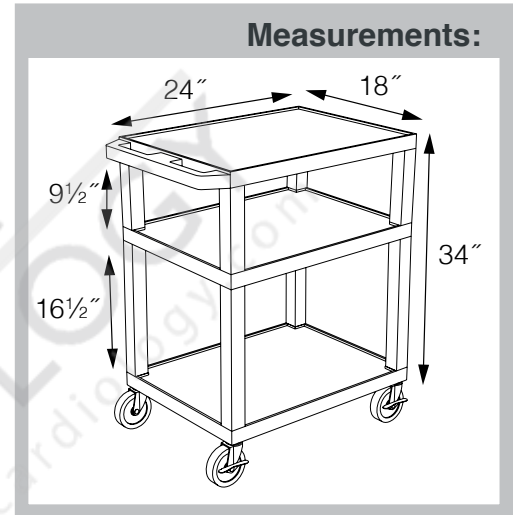
WT34E-B/WTD

34" Tuffy Presentation Stations

Pull-out shelves ideal for laptop, keyboards and projectors. Lockable WTD drawers great for storage and added security.



WTPS34E-B



Shelf
Color
Code:

Black	Gray GY	Putty OW	Red R	Burgundy BY	Blue BU
Yellow Y	Orange OR	Hunter Green HG	Green G	Purple P	Navy Z

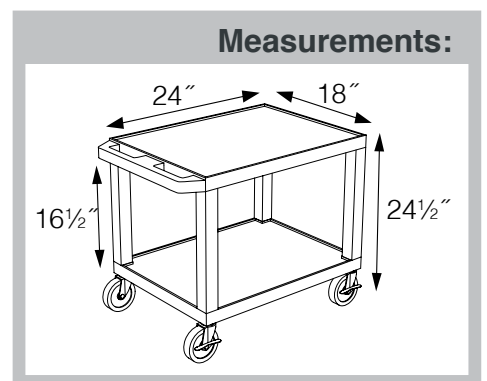
26" Tuffy Carts



WT26C2E-B



WT26E-B



To specify which shelf color is ordered, replace ★ in this example product number with shelf color code of choice:

WT34★C2E-B

Tuffy Presentation Stations

42" H x 24" W x 18" D



NEW Tuffy Pullout Shelf Series

19 5/8" W x 15 5/8" D

Shelves are constructed with an injection molded thermoplastic resin. Will not chip, warp, rust or peel. Shelves have a 1/4" safety retaining lip and are available in 12 unique colors.

Locking steel cabinet panels fit firmly into the specially molded leg slots.

A set of silent roll, 4" full swivel ball bearing casters, two with locking brakes.

Includes a 3-outlet UL listed electrical assembly with a 15 ft. cord.

WTPSLP42C3E

Shelf Color Code:

Black	Gray GY	Putty OW	Red R	Burgundy BY	Blue BU
Yellow Y	Orange OR	Hunter Green HG	Green G	Purple P	Navy Z



WTPSLP42E



WTPS42C3E



WTPS42E



WT42C3E

Putty

Putty

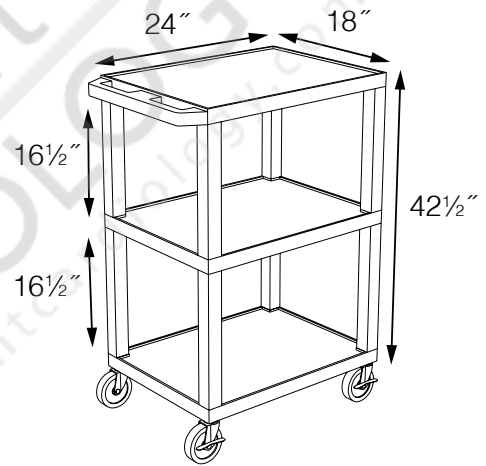
42" Tuffy Presentation Stations



Front & Side pull-out shelves ideal for laptop, keyboards and projectors. Lockable WTD drawers great for storage and added security.

19 5/8" W x 13 5/8" D

Measurements:



WTPSP42C3E



WT42E



WTPSP42E



WT42C3E/WTD



WT42E/WTD

Tuffy Presentation Stations

34" H x 24" W x 18" D

NEW Tuffy Pullout Shelf Series

19 5/8" W x 15 5/8" D



WTPS34C3E

Shelves are constructed with an injection molded thermoplastic resin. Will not chip, warp, rust or peel. Shelves have a 1/4" safety retaining lip and are available in 12 unique colors.

Locking steel cabinet panels fit firmly into the specially molded leg slots.

A set of silent roll, 4" full swivel ball bearing casters, two with locking brakes.

Includes a 3-outlet UL listed electrical assembly with a 15 ft. cord.



WT34C3E



WT34E



WT34C3E/WTD



WT34E/WTD

34" Tuffy Presentation Stations

Pull-out shelves ideal for laptop, keyboards and projectors. Lockable WTD drawers great for storage and added security.

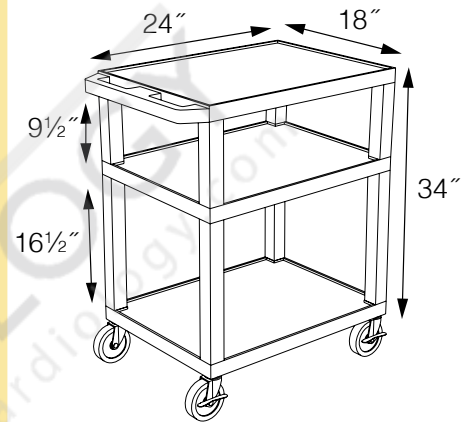


WTPS34E

Shelf
Color
Code:

Black	Gray	Putty	Red	Burgundy	Blue
	GY	OW	R	BY	BU
Yellow	Orange	Hunter Green	Green	Purple	Navy
Y	OR	HG	G	P	Z

Measurements:



26" Tuffy Carts

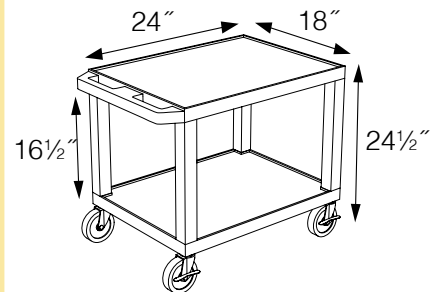


WT26C3E



WT26E

Measurements:



To specify which shelf color is ordered, replace ★ in this example product number with shelf color code of choice:

WT34★C3E

Adjustable Height Steel A/V Carts

24 - 42" H x 18" D x 24" W

Available in 5 Colors:



W42ACEKB NEW

Steel shelves have a 1/4" retaining lip, with cable access holes. No slip rubber mat for adjustable top shelf.

Locking security cabinet has full piano hinge door. Pull-out keyboard shelf which is ideal for laptop & keyboards.

A set of silent roll, 4" full swivel ball bearing casters, two with locking brakes.

Includes a 3-outlet UL listed electrical assembly with a 15 ft. cord.

Color Options:

Black

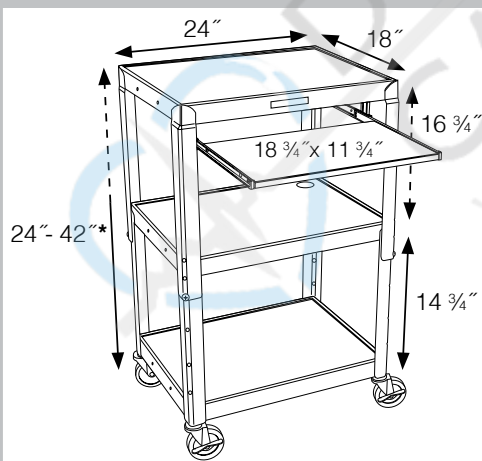
Gray
GY

Red
R

Burgundy
BY

Blue
BU

Measurements:



* - in 2" increments



W42AEKB NEW

Available in 11 Colors:



Color Options:

Black

Gray
GY

Putty
OW

Red
R

Burgundy
BY

Blue
BU

Yellow
Y

Nickel
CH

Green
G

Purple
P

Navy
Z

To specify which unit color is ordered, replace ★ in this example product number with available color option of choice: **W42A★CEKBDL**

Adjustable Height Steel A/V Carts



W42ACEKBDL **NEW**

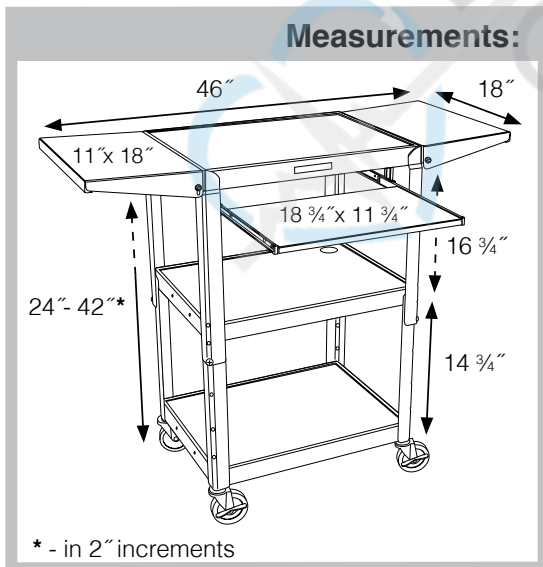
Steel shelves have a $\frac{1}{4}$ " retaining lip, with cable access holes. No slip rubber mat for adjustable top shelf.

Locking security cabinet has full piano hinge door. Pull-out keyboard shelf which is ideal for laptop & keyboards.

Drop leaf side shelves add an additional work area and lock easily into position.

A set of silent roll, 4" full swivel ball bearing casters, two with locking brakes.

Includes a 3-outlet UL listed electrical assembly with a 15 ft. cord.



W42AEKBDL

Color Options:	Black	Gray GY	Red R	Burgundy BY	Blue BU
----------------	--------------	-------------------	-----------------	-----------------------	-------------------

Adjustable Height Steel A/V Carts

24 - 42" H x 24" W x 18" D

Available in 5 Colors:



W42ACE

Steel shelves have a 1/4" retaining lip, with cable access holes. No slip rubber mat for adjustable top shelf.

Locking security cabinet has full piano hinge door.

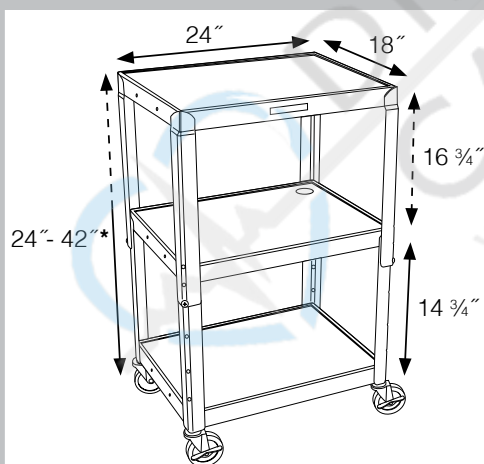
A set of silent roll, 4" full swivel ball bearing casters, two with locking brakes.

Includes a 3-outlet UL listed electrical assembly with a 15 ft. cord.

Color Options:



Measurements:



* - in 2" increments



W42AE

Available in 11 Colors:



Color Options:



To specify which unit color is ordered, replace ★ in this example product number with available color option of choice: **W42A★CEKBDL**

Fixed Height Steel A/V Carts & Cabinets

Available in three heights: 26", 34", 42". All steel shelves are 18" x 24" with a 1/4" retaining lip. Steel shelves are welded for increased strength.

3-Outlet UL listed electrical assembly with 15 ft. cord. A set of silent roll, 4" full swivel ball bearing casters, two with locking brakes.



W26E

26"H x 24"W x 18"D



W34E

34"H x 24"W x 18"D



W42E

42"H x 24"W x 18"D

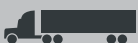
Available in three heights 26", 34" and 42". 34" has one interior adjustable shelf, 42" has two shelves. Locking security cabinet has full piano hinge doors.

3-Outlet UL listed electrical assembly with 15 ft. cord. A set of silent roll, 4" full swivel ball bearing casters, two with locking brakes.



MC29E

26"H x 36"W x 24"D



MC34E

34"H x 24"W x 18"D



MC42E

42"H x 24"W x 18"D



Multi-Media Work Center

37½" H x 25" W x 19¼" D

WPSDD3



This sturdy multimedia station includes an easy glide laptop shelf, two drop leaf shelves.

A cabinet, that includes an adjustable, even removable inner shelf.

Constructed from a durable black/grey laminate finish.

A set of silent roll, 3" furniture casters, two with locking brakes.

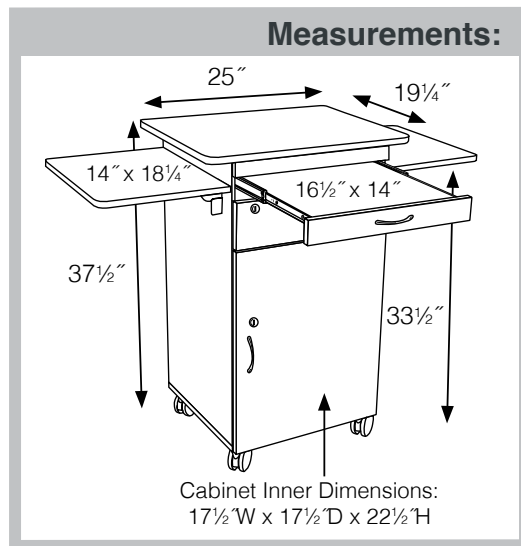
The Top shelf has a rounded corner for safety.



Closed View



Adjustable Inner Shelf



Extra Wide Boardroom Presentation Stations 42" H x 36" W x 18" D



WTPS72BR5E-B



WTPS73BR5E-B



WTPS70BR5E-B



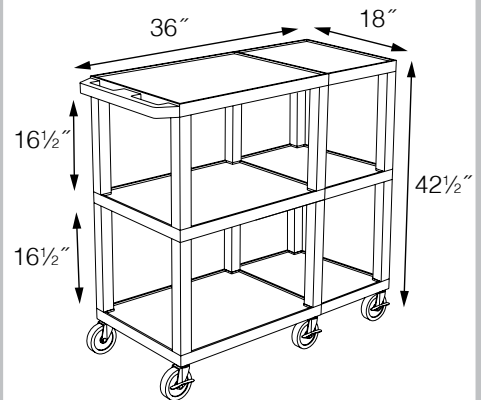
WTPS71BR5E-B

Ideal for visual presenters and document cameras. Multiple shelves accept any combination of presentation equipment. The Boardroom series features aspen or black cherry wood laminate inlays.

Locking steel cabinet panels fit firmly into the specially molded leg slots. Pull-out shelf ideal for laptop and keyboard. Lockable WTD drawers great for storage and added security.

A set of six heavy duty, 4" boardroom casters, three with locking brakes. Includes a 3-outlet UL listed electrical assembly with a 15 ft. cord.

Measurements:



WTPS71BRE



WTPS70BRE



WTPS73BRE



WTPS72BRE

	BRE Series	BR5E-B Series
Wood Inlays:	Aspen	Black Cherry
Leg/Cabinet Color:	Nickel	Black

Extra Wide Presentation Stations

42" H x 36" W x 18" D



19 5/8" W x 15 5/8" D

Shelf Color:	Black	Gray
	Nickel	Black
Leg/ Cabinet Color:		

Shelves are constructed with a injection molded thermoplastic resin. Will not chip, warp, rust or peel. Shelves have a 1/4" safety retaining lip.

Locking steel cabinet panels fit firmly into the specially molded leg slots.

Pull-out shelf ideal for laptop and keyboards. Lockable WTD drawers great for storage and added security.

Includes black/gray reversible inlays for a smooth work surface.

WTPS71E-N



WTPS70E-N



WTPS73E-N



WTPS72E-N

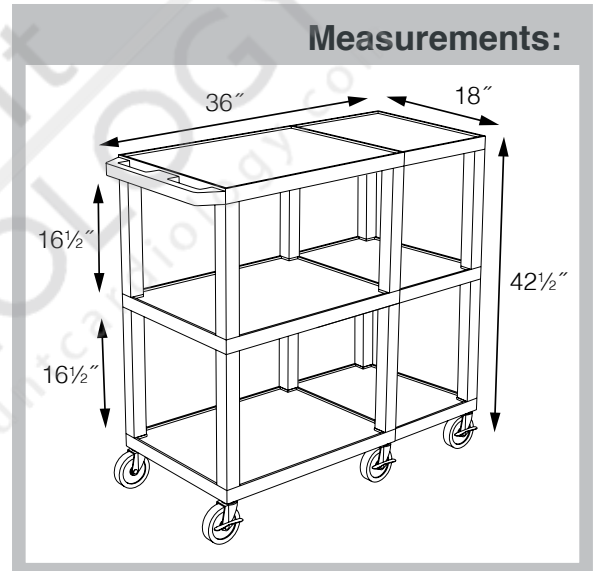
Extra Wide Presentation Stations



WTPS71E

All extra wide presentation stations include a set of six silent roll, 4" full swivel ball bearing casters, three with locking brakes.

Includes a 3-outlet UL listed electrical assembly with a 15 ft. cord.



WTPS70E



WTPS73E



WTPS72E

WPS4HD Presentation Stations

41"H x 18¼"W x 34½"D



Shown with electrical assembly

This mobile presentation cart has four gray laminate work surfaces with a black steel frame. The adjustable second shelf can be set from 33" up to 41" high.

Locking wood laminate cabinet model inner dimensions are: 18¾"H x 13¾"W x 13¾"D.

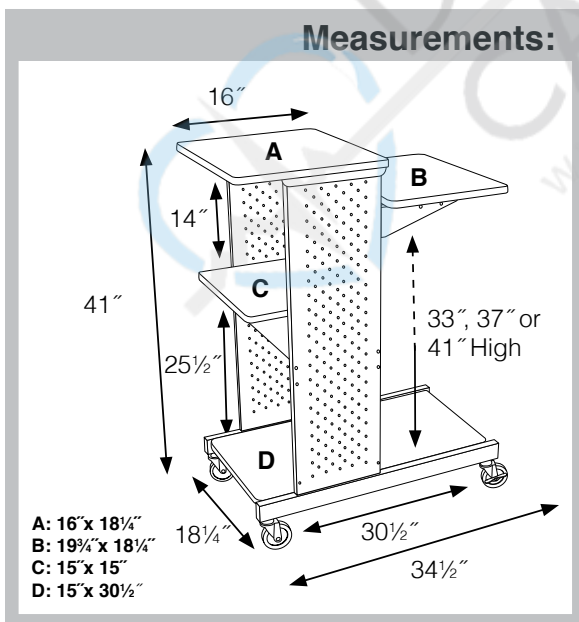
Optional 7-outlet UL approved electrical assembly with 25 ft. cord.

A set of heavy duty 4" full swivel ball bearing casters, two with locking brakes.

Shown with optional Side Shelf Accessory
19¾" x 18¼"

WPS4HDCE

Measurements:



Shown with electrical assembly

WPS4HDE

WPS4 Presentation Stations

39½" H x 18¼" W x 34½" D



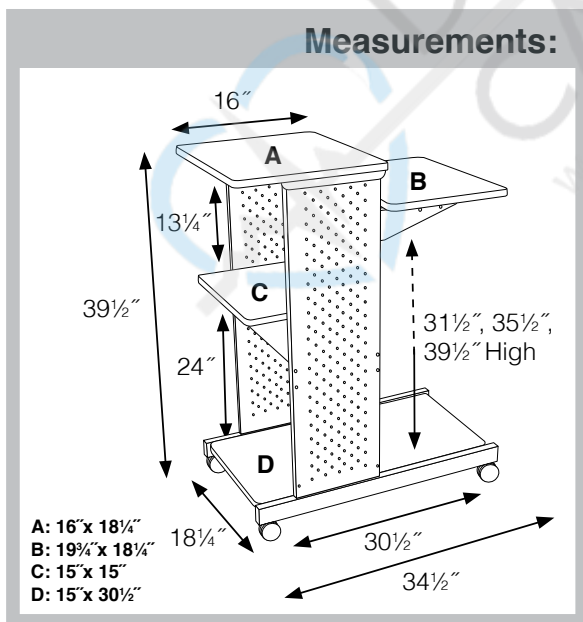
This mobile presentation cart has four gray laminate work surfaces with a black steel frame. The adjustable second shelf can be set from 31½" up to 39½" high.

Locking wood laminate cabinet model inner dimensions are: 18¾" H x 13¾" W x 13¾" D.

Optional 3-Outlet UL approved electrical assembly with 15 ft. cord.

A set of silent roll, 3" furniture casters, two with locking brakes.

WPS4E



WPS4CE

WPS4 Boardroom Presentation Stations

39½" H x 18¼" W x 34½" D



WPS4BRCE

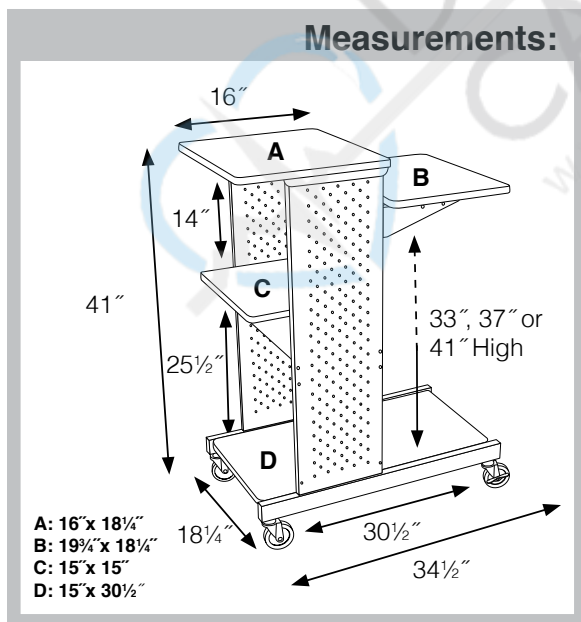
This Boardroom series presentation unit has four aspen wood looking laminate work surfaces with a nickel steel frame. The adjustable second shelf can be set from 33" up to 41" high.

Locking wood laminate cabinet model inner dimensions are: 18¾"H x 13¾"W x 13¾"D.

Includes a 7-outlet UL approved electrical assembly with 25 ft. cord.

A set of heavy duty 4" boardroom casters, two with locking brakes.

Shown with optional
Side Shelf Accessory
19¾" x 18¼"



WPS4BRE

WPS4 Boardroom Presentation Stations



This Boardroom series presentation unit has four black cherry wood looking laminate work surfaces with a black steel frame. The adjustable second shelf can be set from 33" up to 41" high.

Locking wood laminate cabinet model inner dimensions are: 18³/₄"H x 13³/₄"W x 13³/₄"D.

Includes a 7-outlet UL approved electrical assembly with 25 ft. cord.

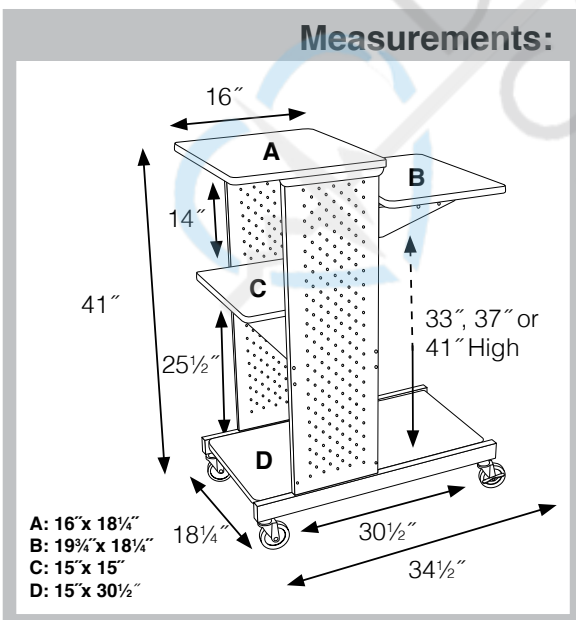
A set of heavy duty 4" boardroom casters, two with locking brakes.

WPS4BR5CE



WPS4BR5E

Measurements:



WPS6 Heavy Duty Presentation Stations

41" H x 23³/₄" W x 35¹/₂" D



WPS6HDCCE

Extra large shelves designed for document cameras and A/V equipment. Four gray laminate shelves and a black steel frame.

Tray Measurement:
8¹/₂" x 16¹/₄" x 3"

Second shelf adjusts in 2" increments.

Available with and without lockable storage cabinet.

Optional integrated storage trays. The light gray trays feature a glide & tilt system that allows drawer to be pulled out and held at an angle without falling out.

Optional 3-outlet UL listed electrical assembly with a 15 ft. cord.

A set of heavy duty 4" full swivel ball bearing casters, two with locking brakes.

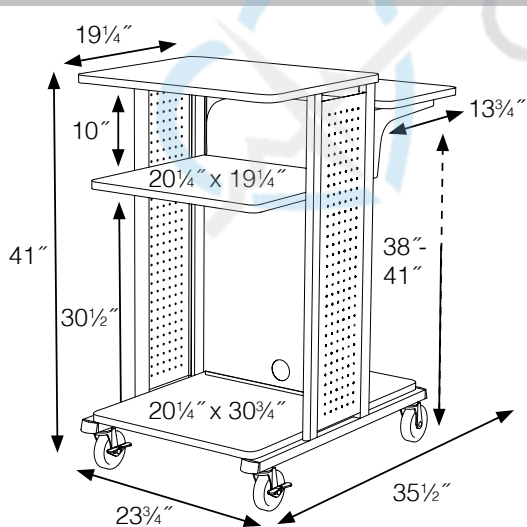


WPS6HDCE



WPS6HDE

Measurements:



Also available with 7-Outlet electrical assembly or no electrical assembly

WTPS4CE Maximum Storage Workstation

42"H x 24"W x 36"D



Shelves are constructed with a injection molded thermoplastic resin. Will not chip, warp, rust or peel. Shelves have a ¼" safety retaining lip.

Pull-out shelf is ideal for a laptop, keyboards and projectors. Both sets of locking steel cabinet panels fit firmly into the specially molded leg slots.

Includes a 3-outlet UL listed electrical assembly with a 15 ft. cord.

A set of six silent roll, 4" full swivel ball bearing casters, three with locking brakes.

Mobile Presentation/Projector Stands



WPS3

Top shelf can be mounted either facing forward or back. Middle shelf adjusts from 13"-18" High. Includes a set of silent roll, 3" furniture casters, two with locking brakes.

WPSDA

Platforms each tilt 45° and both work surfaces are independently adjustable in height. Suited for seated or standing use. ¼" retaining lip on the bottom edge. Includes a set of silent roll, 3" furniture casters, two with locking brakes.

WPS3

40½ - 48"H x 18¼"W x 29½"D

WPSDA

32½ - 41"H x 31"W x 14½"D

WPS5CE Presentation Stations

30 $\frac{1}{4}$ " - 41 $\frac{1}{2}$ "H x 32 $\frac{1}{2}$ "W x 31"D

Equipment sold separately



This presentation station features a split top surface that adjusts from 30 $\frac{1}{4}$ "-41 $\frac{1}{2}$ " in height.

Made of a durable easy clean laminate finish. All doors and platforms are lockable.

Includes a 3-outlet UL listed electrical assembly with a 15 ft. cord.

A set of six silent roll, 3" furniture casters, three with locking brakes.

WPS5CE

WPS5BCE

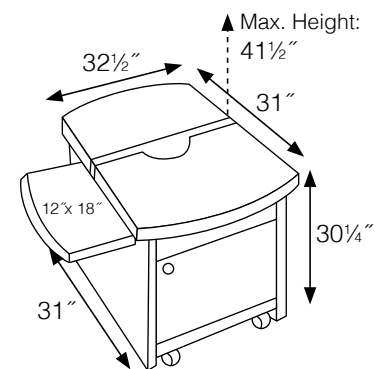


Closed Unit passes through most doorways



Inner shelf is adjustable

Measurements:



'The Ultimate Tuffy' Presentation Station 41"H x 24"W x 18"D



WTPSCE

This Presentation station features 18" x 24" top shelf. Textured surface with 1/4" safety retaining lip. Cable management hole in middle shelf.

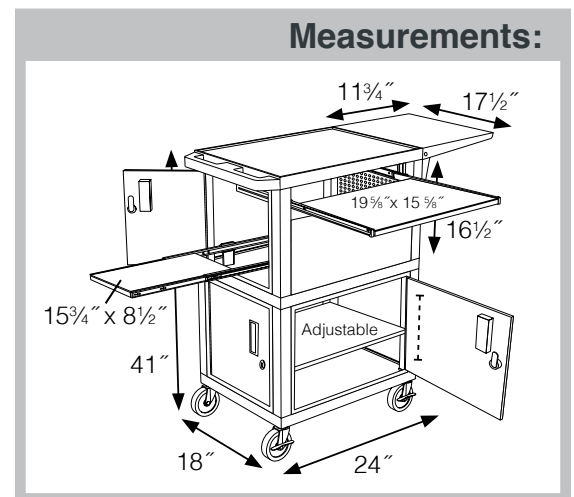
Locking steel cabinet panels fit firmly into the specially molded leg slots. Slide out projector platform with vertical clearance of 9 3/4" with locking door.

Lower cabinet has two 18" x 24" surfaces and two locking doors to provide access to A/V equipment. Includes a 3-outlet UL listed electrical assembly with a 15 ft. cord & cord wrap.

A set of silent roll, 5" full swivel ball bearing casters, two with locking brakes.



Flip up metal side shelf



Ventilated steel side panels allow sound to emanate from the cabinet and provides heat ventilation for equipment.

Universal LCD/Flat Panel Stands

45 - 65" H x 27" W x 23 1/2" D



This Flat panel stand holds 37" to 60" flat panel TV's. Two heavy duty chrome steel tubes with a black powder coated base and cable management slots. Engineered for safety.

The heavy duty base plate's 27" x 23 1/2" footprint prevents tipping and the 49 lbs. of counter weight provides the proper center of gravity.

A set of silent roll, 4" full swivel ball bearing casters, two with locking brakes.

Optional shelf add-on is available for DVD player & A/V equipment. 19" x 12" available shelf space.



WFST Universal Flat Panel Mount

Includes the WFST flat panel mount which holds a 37" - 60" TV. The Universal glide bracket design easily hooks onto a mount plate and keeps the display securely attached. Smooth continuous touch tilt that allows up to 15° (+ or -) of adjustment. Mounting hardware included.



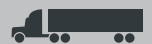
WPSMS62CH
60" H



WPSMS44CH-4
50" H



WPSMS44CH
45" H



*Excludes WFST

Flat Panel TV Console w/ Lockable Storage

66" H x 47" W x 23³/₅" D

This entertainment center is built to manage most 60" LCD and flat panel TVs.

This wooden laminate unit offers enclosed cabinet space, a center shelf compartment and a drawer for organizing A/V components. Includes universal mount.

Two locking cabinets and drawers. A set of silent roll, 4" full swivel ball bearing casters, two with locking brakes.

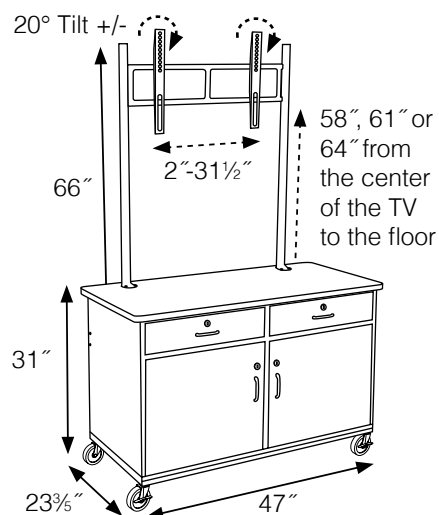
The brackets of the flat panel mount can be adjusted from 2" to 31¹/₂" apart. Includes 3-outlet UL listed electrical assembly with 15 ft. cord & cord wrap.



WPVC65E



Measurements:



Adjustable
Interior Shelves

Features cable
pass through



Universal LCD/Flat Panel Stands

62 $\frac{1}{4}$ " H x 31 $\frac{1}{2}$ " W x 27 $\frac{3}{4}$ " D



This versatile flat panel stand holds a 32" - 60" flat panel TV.

Large footprint provides stability and prevents tipping. Three plastic shelves 28 $\frac{1}{2}$ " W x 13 $\frac{1}{2}$ " D.

Light gray steel tube frame. Built in push handle. A set of silent roll, 4" full swivel ball bearing casters, two with locking brakes.

Universal mounting bracket included. 62 $\frac{1}{4}$ " high is the measurement from the floor to mount center.

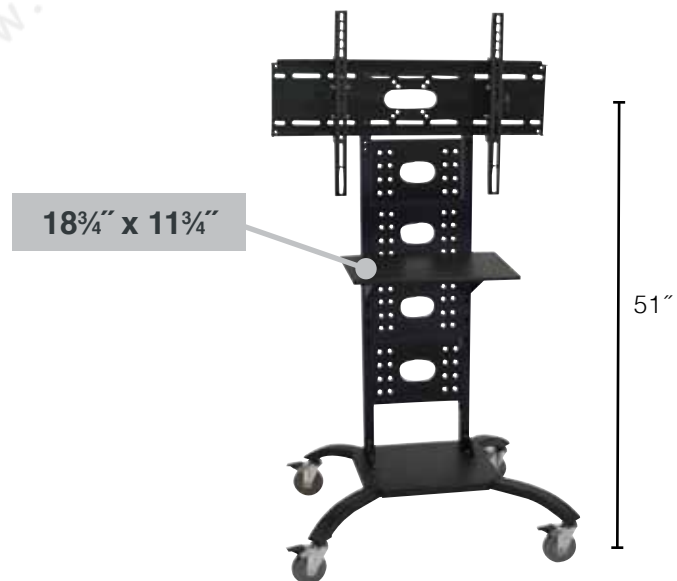


WPSMS51 Mobile Flat Panel Stand

The WPSMS51 includes the **WFST Universal Mount** which holds a 37" - 50" flat panel or LCD TV. Constructed of an all steel frame.

Four 4" lockable casters. Single shelf for DVD player or other A/V equipment. Stylish, curved metal legs.

Integrated wire management. Black powder coat paint finish. Perforated back panel.



***Height is the measurement from the floor to mount center**

WPSMS51
51"H x 31"W x 28"D



Mobile Carts w/ Universal Flat Panel Mount

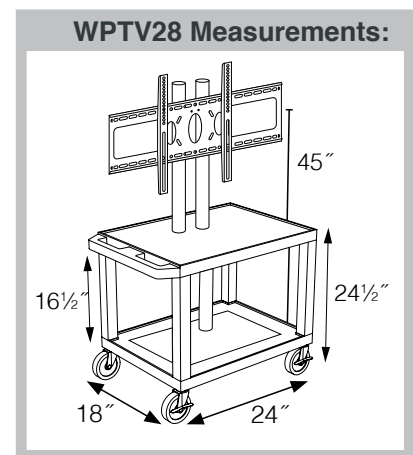
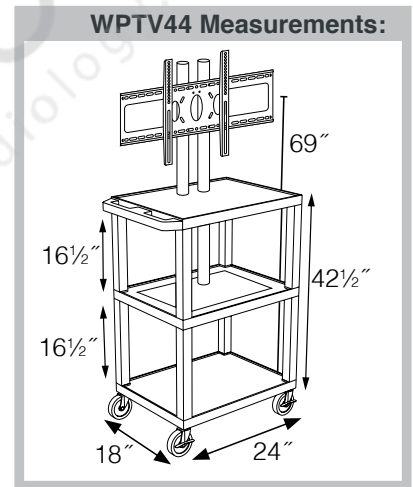
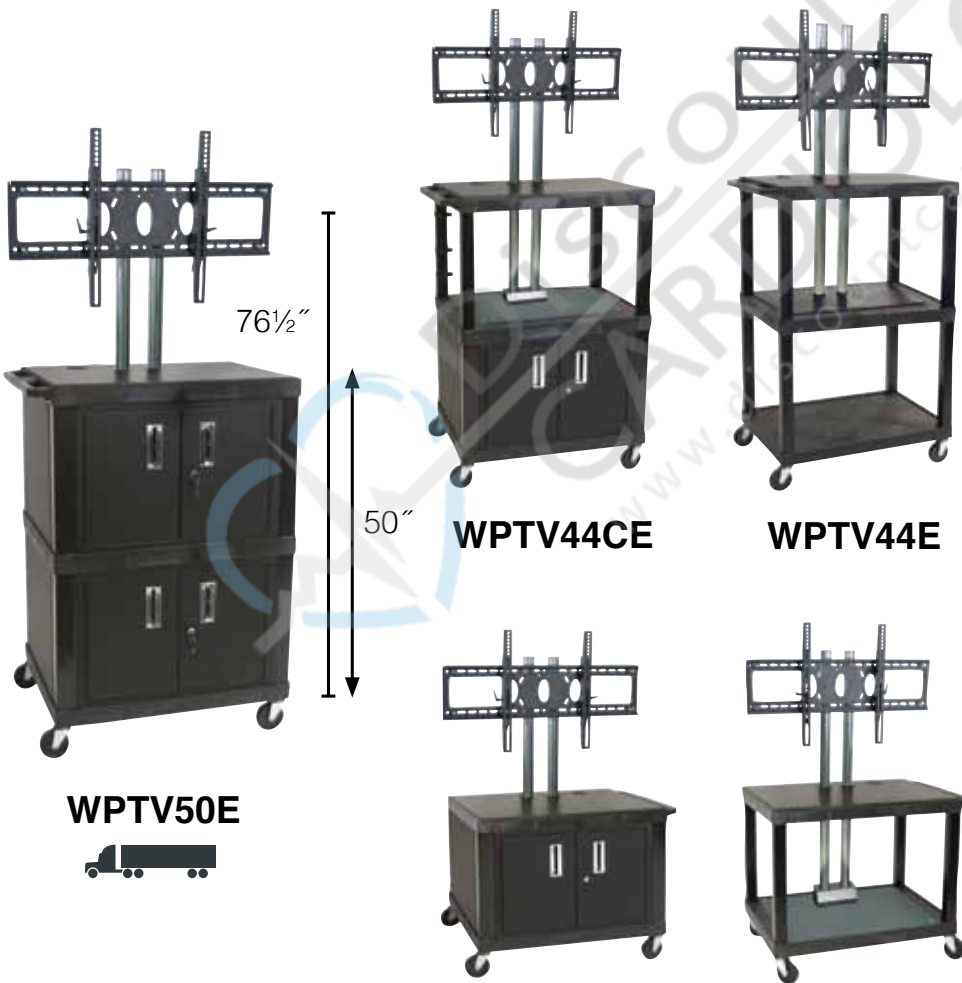
Tuffy video carts bracket includes a **WFST Universal Mount**. With an exclusive counter-weight system.

Shelves are constructed with a injection molded thermoplastic resin. Will not chip, warp, rust or peel. There are two metal reinforcements molded into the 2" thick top shelf for extra strength.

Includes a 3-outlet UL listed electrical assembly with a 15 ft. cord. Electrical assembly is recessed to insure easy passage through doorways and other tight spots.

A set of silent roll, 4" full swivel ball bearing casters, two with locking brakes.

Locking steel cabinet panels fit firmly into the specially molded leg slots.



WPTV28CE

WPTV28E

***Height is the measurement from the floor to mount center**

Adjustable Height Steel LCD Carts

44" - 62" H x 24" W x 18" D

This adjustable steel A/V Cart can hold up to a 42" flat panel display. Shelves are 18"D x 24"W with a 1/4" retaining lip. Top & middle shelves feature holes for cable management.

Locking security cabinet has full piano hinge door. Access hole in the back of the cabinet for easy cable management.

Drop leaf side shelves adds a 11" x 18" work area and lock easily into position.

A set of silent roll, 4" full swivel ball bearing casters, two with locking brakes.

Includes 3-outlet UL listed electrical assembly with a 15 ft. cord.



W42ACEDL-LCD

Color Options:	Black	Gray GY	Red R	Burgundy BY	Blue BU
----------------	--------------	-------------------	-----------------	-----------------------	-------------------

NEW



W42ACE-LCD



W42AE-LCD



W42AEDL-LCD



W42AE-LCD

To specify which unit color is ordered, replace ★ in this example product number with available color option of choice:

W42A★CEDL-LCD

Large Adjustable Height Steel A/V LCD Carts

This adjustable steel A/V Cart can hold up to a 42" flat panel display. Shelves are 20"D x 32"W with a 1/4" retaining lip. Top & middle shelves feature holes for cable management.

Locking security cabinet has full piano hinge doors. Access hole in the back of the cabinet for easy cable management.

Pull-out keyboard shelf which is ideal for laptop & keyboards.

A set of silent roll, 4" full swivel ball bearing casters, two with locking brakes.

Includes 3-outlet UL listed electrical assembly with a 15 ft. cord.



W42XLC-LCD

W42XL-LCD

44" - 62"H* x 32"W x 20"D



Cable access holes



NEW



W42XLC



W42XL



W42XLKBC



W42XLKB

18^{3/4}" x 11^{3/4}"

24" - 42"H x 32"W x 20"D

*Height is the measurement from the floor to mount center

Universal LCD Projector Mounts

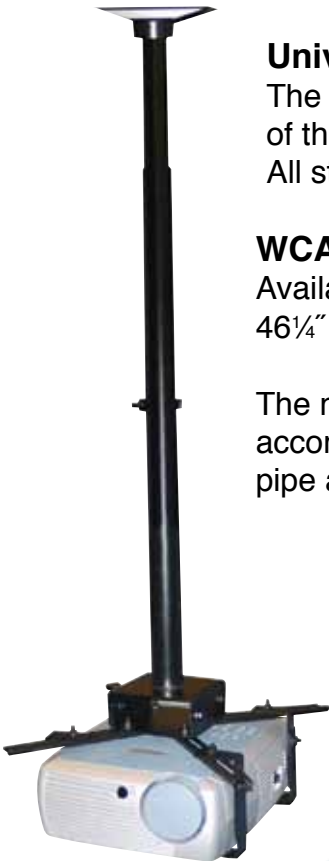
Universal LCD Projector Mounts

The flat-arm styles match up with the mounting holes on the bottom of the projector. The clamp style brackets wrap around the projector. All steel construction with black powder coat finish. 10° tilt capability.

WCALCDM & WALCDM Adjustable Projector Mounts

Available in clamp or flat-arm designs. The pipe adjusts from 27½" to 46¼" long in six adjustments at 4" increments.

The mounting claws are adjustable from 3½" - 6½" which will accommodate most LCD projectors and the 1¼" diameter threaded pipe adjusts from 34½" - 53" long.



WCALCDM



WCFLCDM



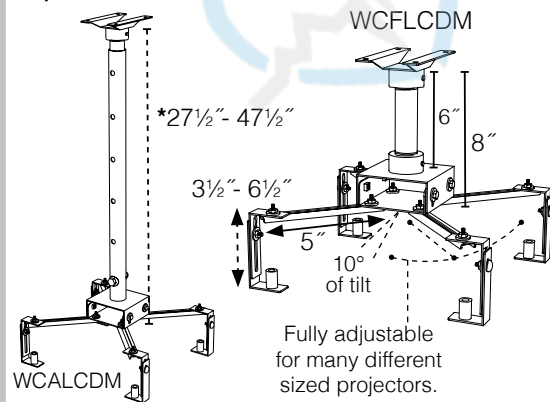
WFLCDM



WALCDM

Measurements:

*Adjustable in 4" increments.



Fixed Height Projector Mounts

WCFLCDM has a fixed 6" pipe extension (1¼" threaded pipe) from the ceiling mount and the mounting claws are adjustable from 3½" to 6½" which will accommodate most LCD projectors.

WFLCDM also has a fixed 6" pipe extension (1¼" threaded pipe) from ceiling mount. The flat mounting arms line up with the mounting holes on your projector.

***LCD Projector Not Included**

Universal LCD Projector Mounts

LXPBL Universal Projector Ceiling Mount

This adjustable universal projector mount offers 360° of rotation, and a 0° to 20° tilt.

The pipe length can be adjusted between 9 - 12½" and includes a cable channel enclosure.

It has a low profile appearance and is easy to install.



LXPBL

LXAPL Adapter Kit for LXPBL

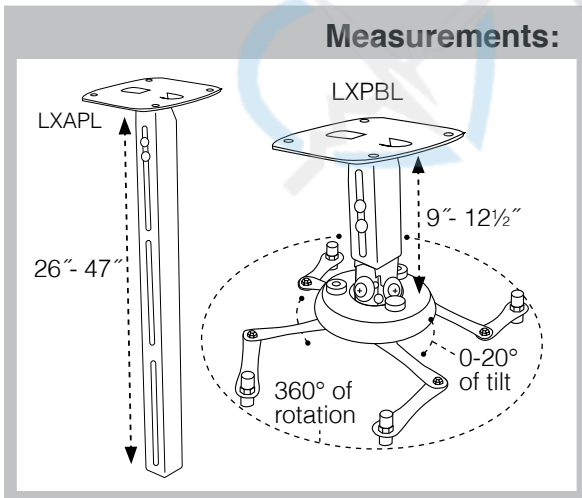
This Adapter kit for the LXPBL allows for adjustable extension lengths from 26" to 47" and continues the channel enclosure.

The enclosure holds the cables and maintains the clean, seamless look.

This adapter kit comes in a black finish. This unit does not include the mount kit.



LXAPL



***LCD Projector Not Included**

Mobile Computer Workstations

Shelves are constructed with a injection molded thermoplastic resin. Will not chip, warp, rust or peel. Shelves have a 1/4" safety retaining lip. Available in black.

Features an adjustable pull-out metal keyboard shelf. Inlays for top shelves create a smooth work surface and are reversible in nickel or black.

Includes a 3-outlet UL listed electrical assembly with a 15 ft. cord. Electrical assembly is recessed to pass through narrow spaces.

A set of silent roll, 4" full swivel ball bearing casters, two with locking brakes.



WTM9E

33"H x 24"W x 18"D



WTM1E

33"H x 24"W x 18"D



WTM5E

41½"H x 24"W x 18"D



WTM8E

54"H x 24"W x 18"D

Mobile Computer Workstations

Shelves are constructed with a injection molded thermoplastic resin. Will not chip, warp, rust or peel. Shelves have a ¼" safety retaining lip. Leg room cut out into the bottom shelf. Pull-out shelf units ideal for laptop and keyboards.

Includes a 3-outlet UL listed electrical assembly with a 15 ft. cord. A set of silent roll, 4" full swivel ball bearing casters, two with locking brakes.



WTME

27"H x 32"W x 24"D



WTMRE

51½"H x 32"W x 24"D



WTMTE

39½"H x 32"W x 24"D



WTM3234

34"H x 32"W x 24"D

24" x 32" Increased Access Workstations

Table workstations provides increased height and leg clearance. Includes a convenient bottom shelf cut out. Optional **WTM-1** insert to provide a smooth working surface.

Shelves are constructed with a injection molded thermoplastic resin. Will not chip, warp, rust or peel. Shelves have a ¼" safety retaining lip. A set of silent roll, 4" full swivel ball bearing casters, two with locking brakes.

Bin Workstation w/ Storage Trays



CT122S2D8
44¼"H x 31"W x 19¼"D

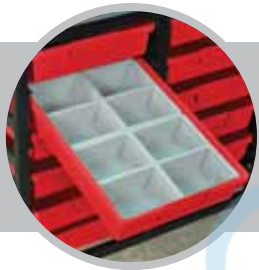
CT122S18
44¼"H x 31"W x 19¼"D

This workstation's steel frame securely attaches directly to the unique tray modules. The top work surface is a wood laminate finish.

The color trays are made from a high impact polystyrene, while the clear trays are made from ABS. Features a glide & tilt system which allows the tray to be positioned at an angle.

A set of silent roll, 4" full swivel ball bearing casters, two with locking brakes.

Dividers are available as accessories for the 12¼" single depth trays. Each 12¼" tray will accept two divider trays. Divider trays are 2⅜"H x 7⅞"W x 11⅝"D



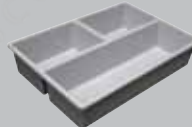
DT1

One section



DT2

Two equal sections



DT3L

One long, two Short



DT3W

One wide, two short wide



DT4

Four equal sections



CT121S1D4

CT121S9

44¼"H x 17"W x 19¼"D



CT182S2D8

CT182S18

44¼"H x 43"W x 19¼"D



CT181S1D4

CT181S18

44¼"H x 23"W x 19¼"D

Bin Workstation w/ Storage Trays



C123D9

34³/₄"H x 44³/₄"W x 19¹/₄"D

C123S18

34³/₄"H x 44³/₄"W x 19¹/₄"D

This workstation's steel frame securely attaches directly to the unique tray modules. The top work surface is a wood laminate finish.

The color trays are made from a high impact polystyrene, while the clear trays are made from ABS. Features a glide & tilt system which allows the tray to be positioned at an angle.

A set of silent roll, 4" full swivel ball bearing casters, two with locking brakes.

Available in 5 Colors:



Trays available in two different lengths: 'SW' - 12¹/₄" or 'EW' - 18¹/₂" wide. Trays are also either single depth (S) - 16¹/₄"D x 3"H, or double depth (D) - 16¹/₄"D x 6¹/₄"H.



Clear lids are an option for all trays



Easy peel stipple area. For easy label removal



Ticket window (included)



C183D9

C183S18

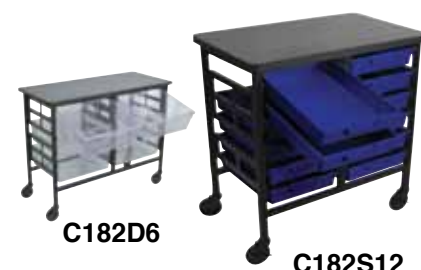
34³/₄"H x 62³/₄"W x 19¹/₄"D



C122D6

C122S12

34³/₄"H x 31"W x 19¹/₄"D



C182D6

C182S12

34³/₄"H x 43"W x 19¹/₄"D

To specify which tray color is ordered, replace ★ in this example product number with available tray color option of choice:

CT122S18-★

Specialty Utility Carts

All Shelves are constructed with a injection molded thermoplastic resin. Will not chip, warp, rust or peel. Shelves have a ¼" safety retaining lip.

All include a set of silent roll, 4" full swivel ball bearing casters, two with locking brakes. Has a maximum weight capacity of 300 lbs.



WT34S

34"H x 24"W x 18"D

Shelf Color Options:	Black	Gray GY	Putty OW	Red R	Burgundy BY	Blue BU
	Yellow Y	Orange OR	Hunter Green HG	Green G	Purple P	Navy Z

Tuffy Mobile Storage Carts



Shelf Color Options:	Black	Red R	Blue BU
----------------------	--------------	-----------------	-------------------

WT34CC Coffee Carts

Locking steel cabinet panels fit firmly into the specially molded leg slots. Includes 12" x 18" **WPT** side shelf for extra serving space. WT34CCBR includes boardroom casters.



WT34CCBR
34"H x 24"W x 18"D

WT34CC
34"H x 24"W x 18"D

	Shelf:	Leg / Cab:
CCBR	Black	Nickel

	Shelf:	Leg / Cab:
CC	Black	Black / Putty

To specify which shelf color is ordered, replace ★ in this example product number with available shelf color option of choice:

WT34★S

WT78★NH

Index

C122D6	41	WPS4HDE	22	WT78NH	42
C122S12	41	WPS5BCE	28	WTM1E	38
C123D9	41	WPS5CE	28	WTM5E	38
C123S18	41	WPS6HDCCE	26	WTM8E	38
C182D6	41	WPS6HDCE	26	WTM9E	38
C182S12	41	WPS6HDE	26	WTM3234	39
C183D9	41	WPSDA	27	WTME	39
C183S18	41	WPSDD3	18	WTMRE	39
CT121S1D4	40	WPSMS44CH	30	WTMTHE	39
CT121S9	40	WPSMS44CH-4	30	WTPS4CE-02	27
CT122S2D8	40	WPSMS51	32	WTPS4CE-06	27
CT122S18	40	WPSMS62CH	30	WTPS4CE-07	27
CT181S1D4	40	WPSMS62SCH-4	30	WTPS34C2E-B	8
CT181S18	40	WPTV28CE	33	WTPS34C3E	12
CT182S2D8	40	WPTV28E	33	WTPS34C4E-N	4
CT182S18	40	WPTV44CE	33	WTPS34E	13
LXAPL	37	WPTV44E	33	WTPS34E-B	9
LXPBL	37	WPTV50E	33	WTPS34E-N	5
MC29E	17	WPVC65E	31	WTPS42C2E-B	6
MC34E	17	WT26C2E-B	9	WTPS42C3E	10
MC42E	17	WT26C3E	13	WTPS42C4E-N	2
W26E	17	WT26C4E-N	5	WTPS42E	10
W34E	17	WT26E	13	WTPS42E-B	6
W42ACE	16	WT26E-B	9	WTPS42E-N	2
W42ACEDL-LCD	34	WT26E-N	5	WTPS70BR5E	19
W42ACEKB	14	WT34C2E-B	8	WTPS70BRE	19
W42ACEKBDL	15	WT34C3E	12	WTPS70E	21
W42ACE-LCD	34	WT34C3E/WTD	12	WTPS70E-N	20
W42AE	16	WT34C4E-B/WTD	8	WTPS71BR5E	19
W42AEDL-LCD	34	WT34C4E-N	4	WTPS71BRE	19
W42AEKB	14	WT34C4E-N/WTD	4	WTPS71E	21
W42AEKBDL	15	WT34CC	42	WTPS71E-N	20
W42AE-LCD	34	WT34CCBR	42	WTPS72BR5E	19
W42E	17	WT34E	12	WTPS72BRE	19
W42XL	35	WT34E-B	8	WTPS72E	21
W42XLC	35	WT34E-B/WTD	8	WTPS72E-N	20
W42XLC-LCD	35	WT34E-N	4	WTPS73B5RE	19
W42XLKB	35	WT34E-N/WTD	4	WTPS73BRE	19
W42XLKBC	35	WT34E/WTD	12	WTPS73E	21
W42XL-LCD	35	WT34S	42	WTPS73E-N	20
WALCDM	36	WT42C2E-B	6	WTPSCE	29
WCALCDM	36	WT42C2E-B/WTD	7	WTPSLP42C2E-B	6
WCFLCDM	36	WT42C3E	10	WTPSLP42C3E	10
WFLCDM	36	WT42C3E/WTD	11	WTPSLP42C4E-N	2
WFP100	32	WT42C4E-N	2	WTPSLP42E	10
WFST	30	WT42C4E-N/WTD	3	WTPSLP42E-B	6
WPS3	27	WT42E	11	WTPSLP42E-N	2
WPS4BR5CE	25	WT42E-B	7	WTPSP42C2E-B	7
WPS4BR5E	25	WT42E-B/WTD	7	WTPSP42C3E	11
WPS4BRCE	24	WT42E-N	3	WTPSP42C4E-N	3
WPS4BRE	24	WT42E-N/WTD	3	WTPSP42E	11
WPS4CE	23	WT42E/WTD	11	WTPSP42E-B	7
WPS4E	23	WT42NH	42	WTPSP42E-N	3
WPS4HDCE	22	WT60NH	42		

H. WILSON

Presentation Furniture

Mobile Projector Stations


Computer Workstations

Audio Visual Carts and Storage

Flat Screen Mounts, Stands & Carts

Storage Carts & Shelving



All H. Wilson products are backed by a manufacturer's limited lifetime warranty against defects and workmanship. Visit www.hwilson.com/warranty for full details. Many of our products are made in the U.S.A. and feature recycled material. All products ship via FedEx or UPS unless marked with this truck line icon: 



Scan this code on your mobile device or visit us at www.hwilson.com for the latest product information. Also "like" us on Facebook.



Find us on:
facebook®